



PRODUCT DATASHEET

Florentina series

last update 10/8/2016

DETAILS

Product Number	FCP14969_FLORENTINA-2X2-W
Family	Florentina
Type	Assembly
Color	black
Diameter	95,57x95,57 mm
Height	17,72 mm
Style	square
Optic Material	PC,PC
Holder Material	
Fastening	screw, pin
Status	production ready
ROHS Compliant	Yes
Date Updated	10/08/2016

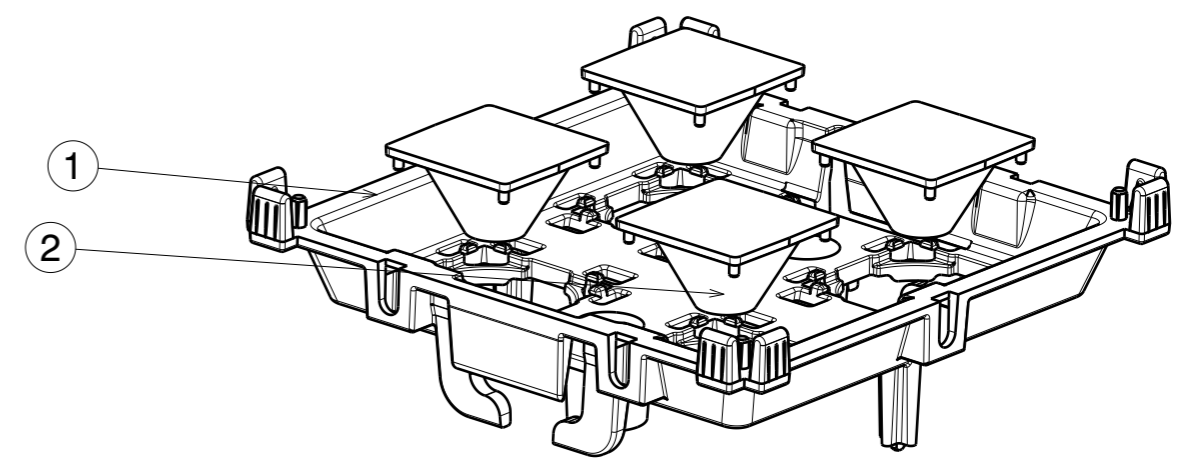
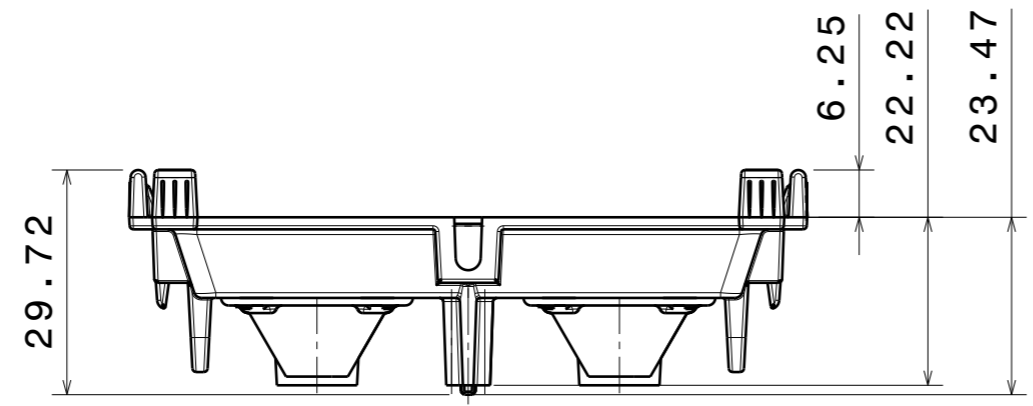


OPTICAL PROPERTIES

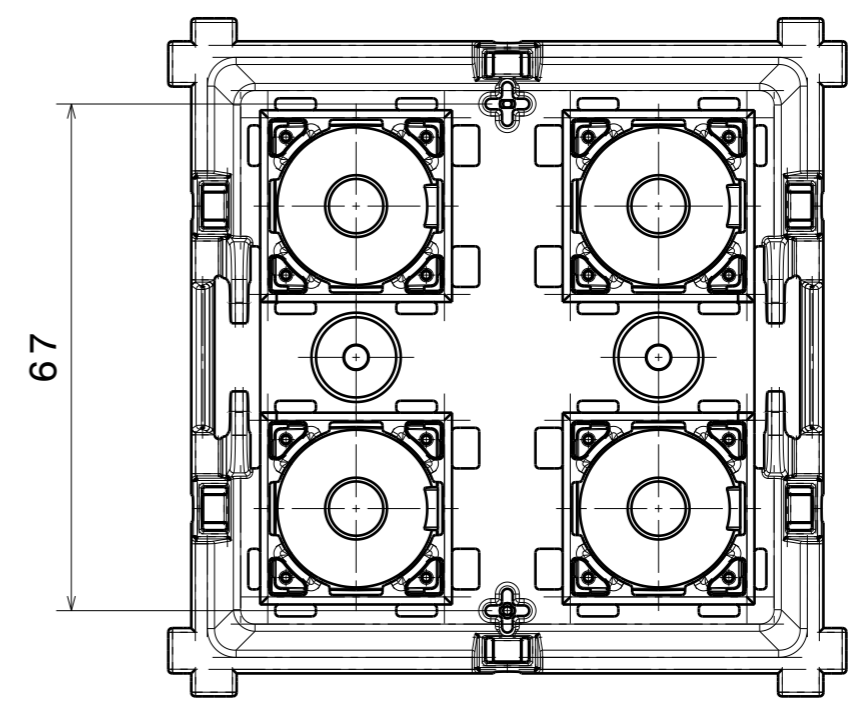
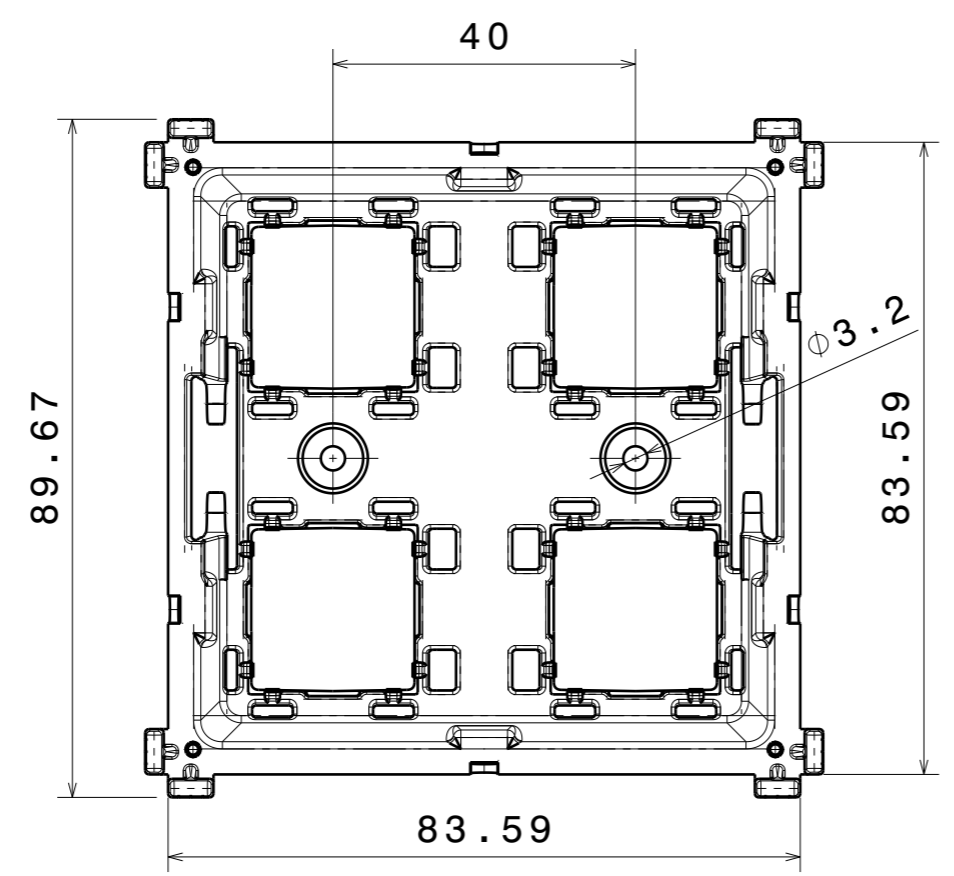
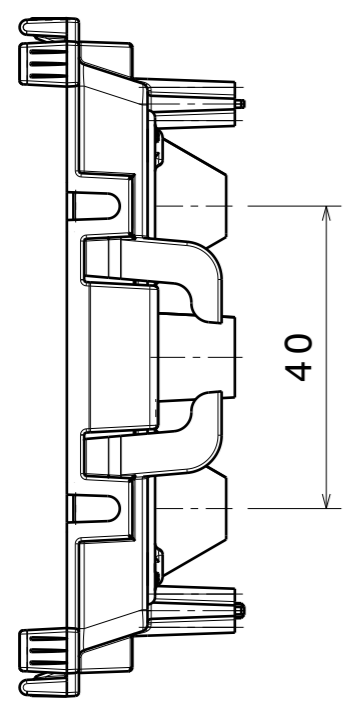
LED	Viewing Angle	Light Beam	Efficiency	cd/lm	Connector
-	NA deg	-	-	-	-

H G F E D C B A

4



3



2

1

INDEX	PART NO	DESCRIPTION	MATERIAL	COLOUR
1		FLORENTINA-HLD	PC	
2		ROSE (4x)	PMMA	

Tolerances if not otherwise shown
 According to DIN ISO 2768-1
 Linear measures:
 Up to 30mm class M, otherwise class C.
 According to DIN ISO 2768-2
 Form and position: class L

LEDiL Ledil Oy
 Salorankatu 10
 FIN 24240 SALO
 Finland

THIRD ANGLE PROJECTION:

DRAWING TITLE
FLORENTINA-2X2-HLD+LENS

This drawing is the property of LEDiL Oy. It may not be reproduced, copied or communicated without a written agreement with LEDiL Oy.

SIZE	PART NUMBER
A3	

SCALE	1:1	WEIGHT	24,17 g	SHEET	1/1
-------	-----	--------	---------	-------	-----

H G B A

NOTE: The typical divergence will be changed by different color, chip size and chip position tolerance. The typical total divergence is the full angle measured where the luminous intensity is half of the peak value.