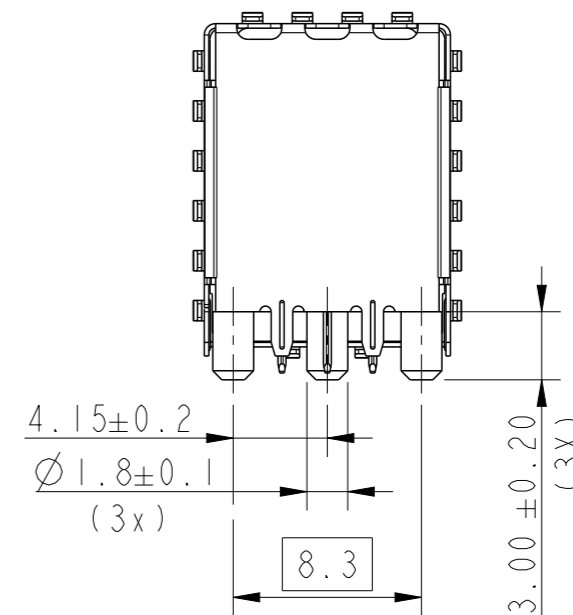
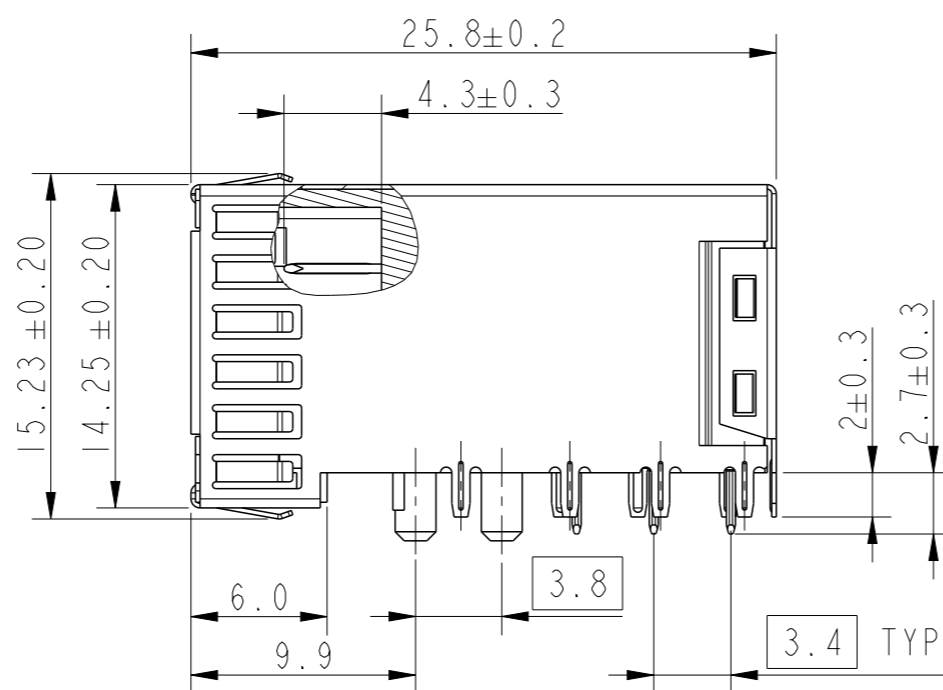
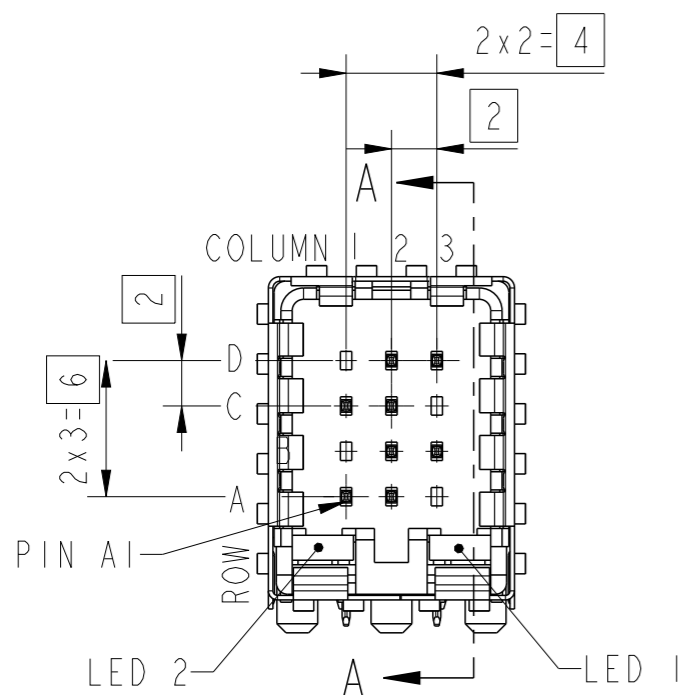
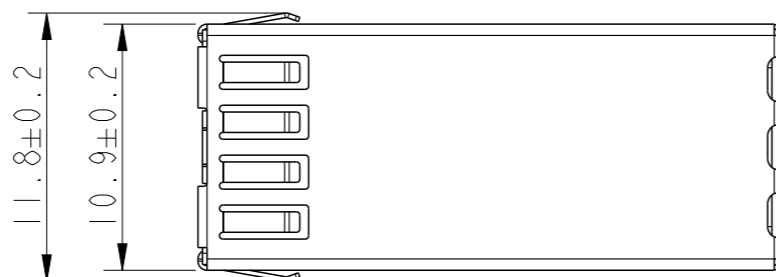
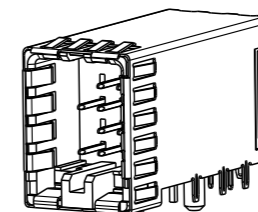
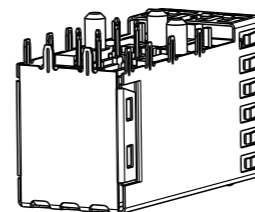


PRODUCT NUMBER
SEE TABLE
ON THIS SHEET

PART NO.	LED 2 LEFT	LED 1 RIGHT
10137391-100LF (SEE NOTE 9)	NIL	NIL
10137391-101LF (SEE NOTE 9)	YELLOW	GREEN
10137391-102LF (SEE NOTE 9)	NIL	GREEN
10137391-103LF (SEE NOTE 9)	YELLOW	NIL
10137391-104LF (SEE NOTE 9)	GREEN	YELLOW
10137391-105LF (SEE NOTE 9)	GREEN	GREEN
10137391-106LF (SEE NOTE 9)	YELLOW	YELLOW



SECTION A-A

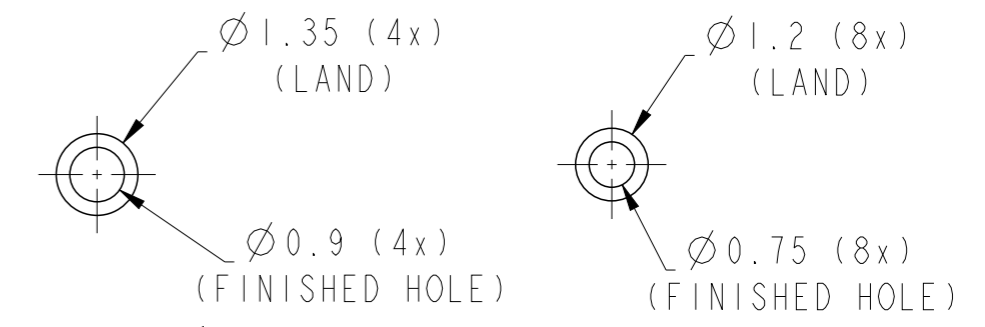
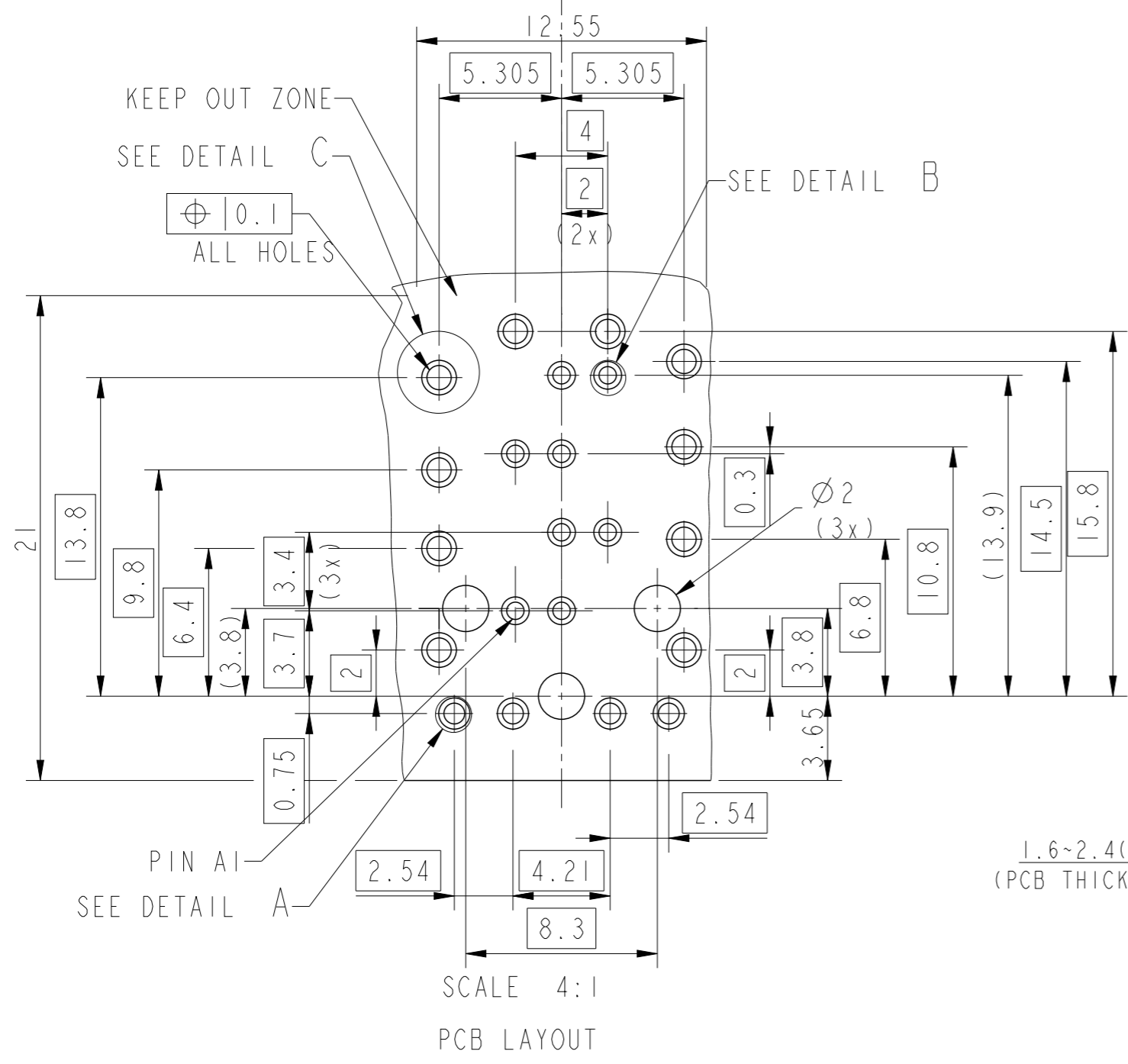
CONTACT LOADING PATTERN				
PART NO.	ROW	COLUMN 1	COLUMN 2	COLUMN 3
10137391-10XLF (SEE NOTE 9)	D	-	x	x
	C	x	x	-
	B	-	x	x
	A	x	x	-

'x' DENOTES CONTACTS LOADED POSITION

spec ref	dr	Jibin John	2016/10/27	projection	MM	size	A3	scale	2:1
tolerance std	eng	Stalin Alosius	2017/01/07			ecn no	ELX-I-25591-1	rel level	Released
ISO 406 ISO 1101	chr	-	product family						
surface	appr	K-Paul Biju	2017/01/09	Amphenol FCI		title RIGHT ANGLE SHIELDED BOARD CONNECTOR BOLTRACK		cat. no. -	Product - Customer Drw
ISO 1302	linear	0.X	±0.3	title RIGHT ANGLE SHIELDED BOARD CONNECTOR BOLTRACK	cat. no. -	Product - Customer Drw	sheet 1 of 5	rev B	dwg no 10137391
	angular	0°	±2°						

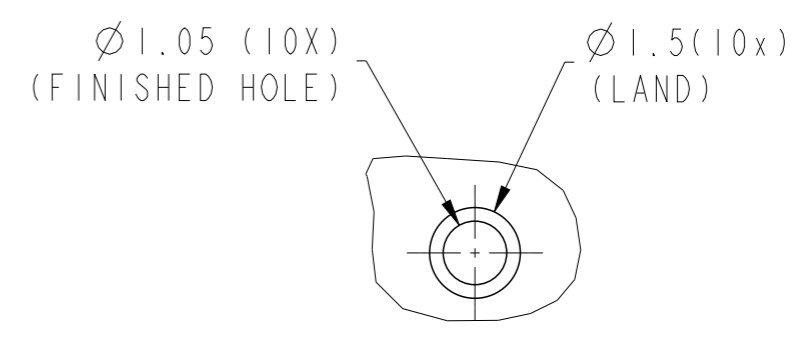
VIEW FROM COMPONENT SIDE

PCB



DETAIL A
SCALE 8:1
LED HOLES

DETAIL B
SCALE 8:1
SIGNAL HOLES

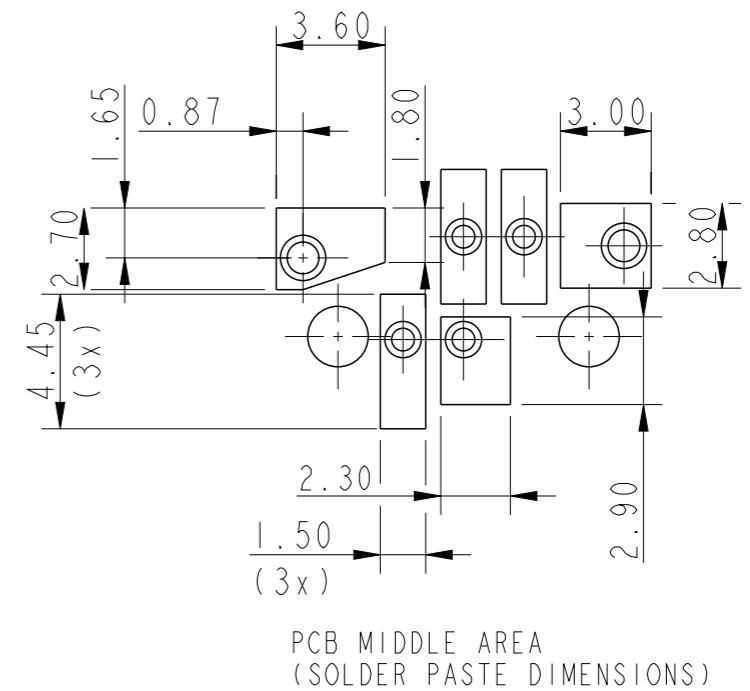
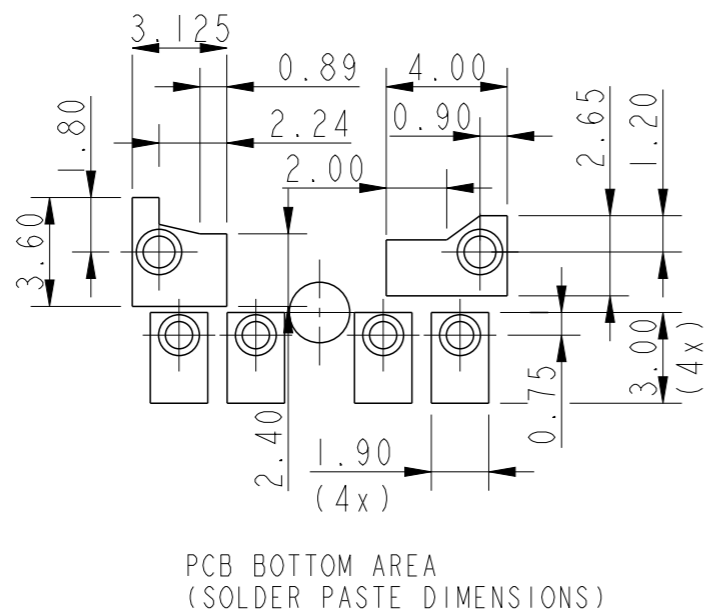
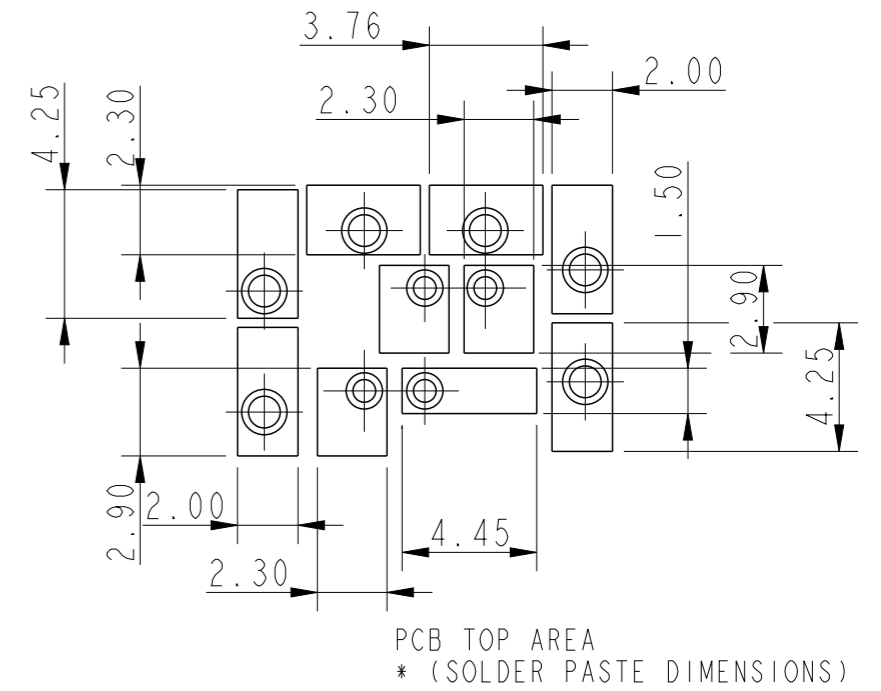
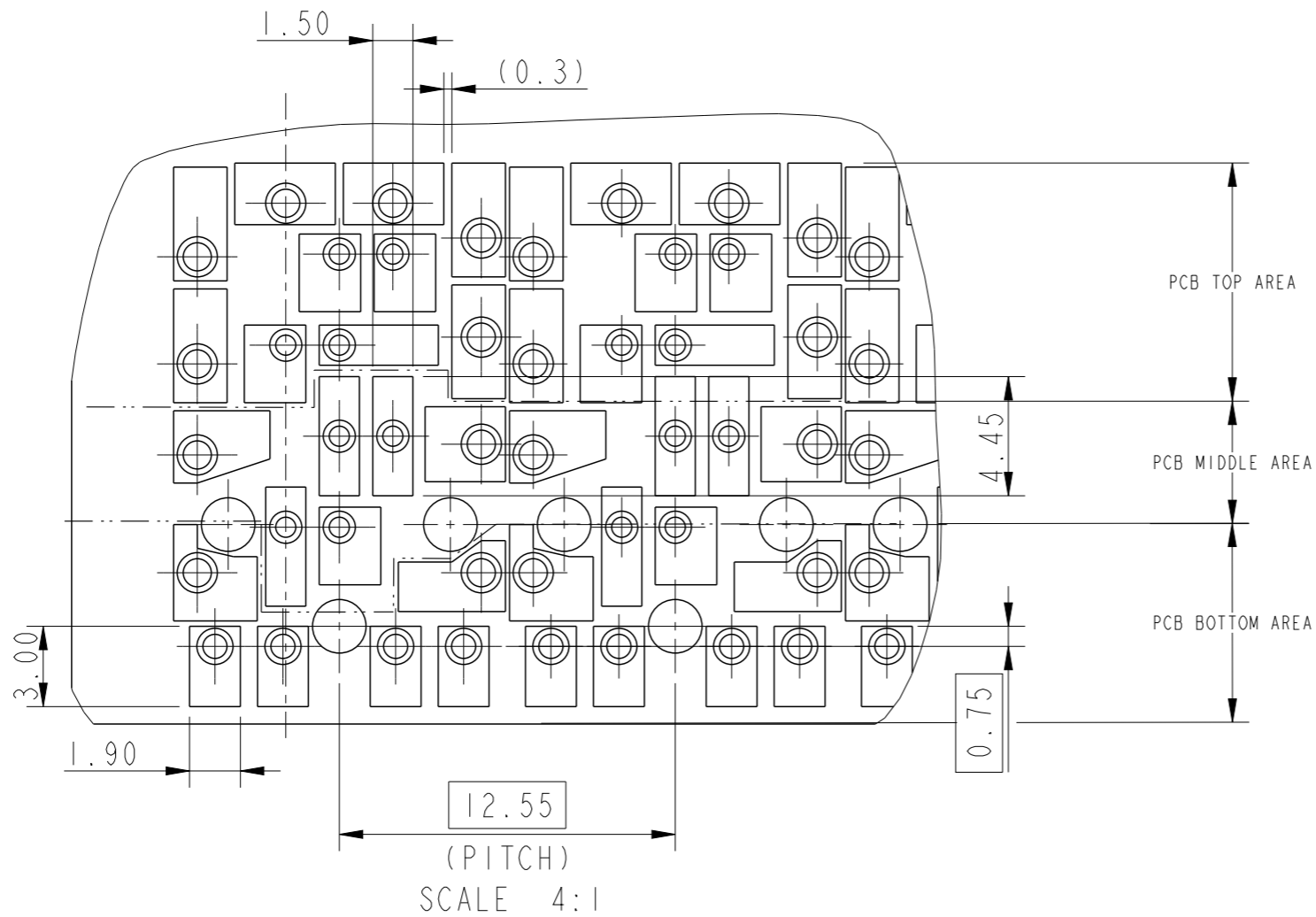


DETAIL C
SCALE 8:1
SHIELD HOLES

1.6~2.4(±10%)
(PCB THICKNESS)

	SIGNAL PTH DETAILS	SHIELD PTH DETAILS	LED PTH DETAILS
DRILLED HOLE	0.82-0.87mm	1.12-1.17mm	0.97-1.02mm
COPPER PLATING	25-50µm	25-50µm	25-50µm
TIN PLATING	0.8-1.2µm	0.8-1.2µm	0.8-1.2µm
FINISHED HOLE DIA	0.70-0.80mm	1.00-1.10mm	0.85-0.95mm

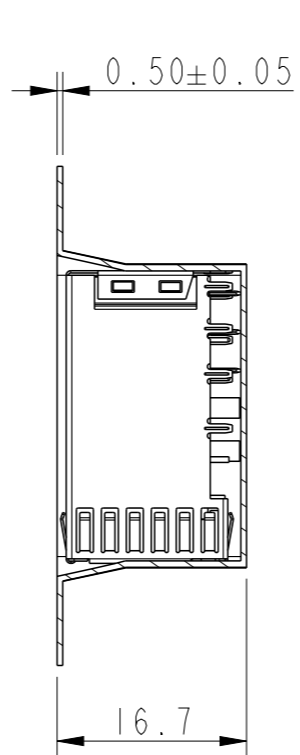
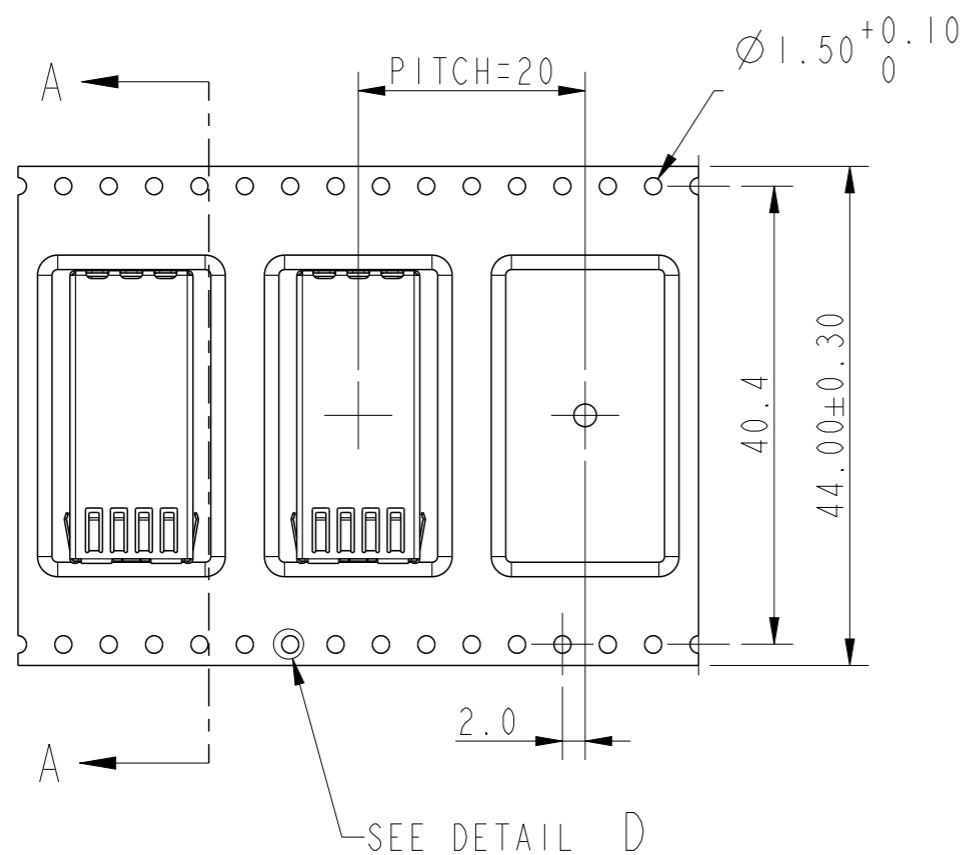
spec ref	dr	Jibin John	2016/10/27	projection	MM	size	A3	scale	2:1
tolerance std	eng	Stalin Alosius	2017/01/07			ecn no	ELX-I-25591-1	rel level	Released
ISO 406 ISO 1101	chr	-	-						
surface	linear	0.X	±0.3	product family	BOLTRACK	dwg no	10137391	rev	B
		0.XX	±0.13						
ISO 1302	angular	0°	±2°	cat. no.	-	Product - Customer Drw	sheet 2 of 5		



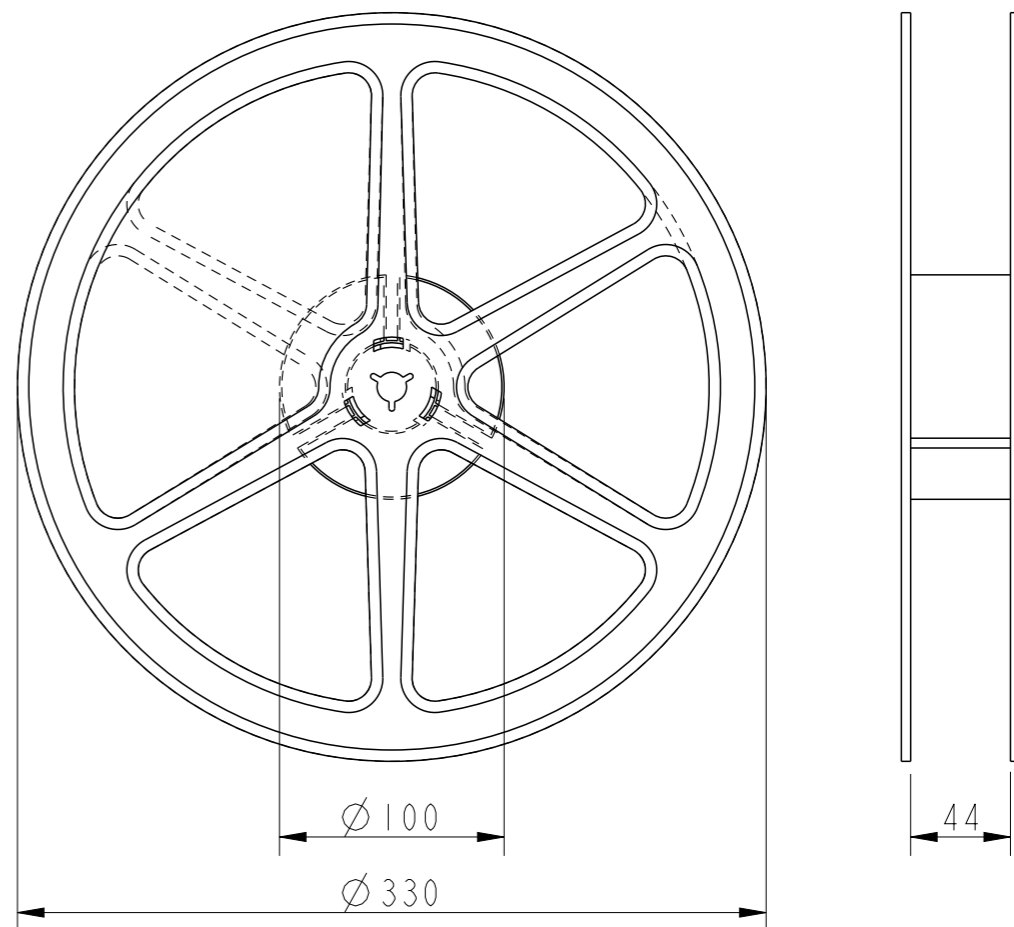
* THICKNESS OF SOLDER PASTE IS 0.125 MM

spec ref		dr	Jibin John	2016/10/27	projection	MM	size	A3	scale	2:1
tolerance std		eng	Stalin Alosius	2017/01/07			ecn no	ELX-I-25591-1	rel level	Released
ISO 406 ISO 1101		chr	-	-						
TOLERANCES UNLESS OTHERWISE SPECIFIED		appr	K-Paul Biju	2017/01/09	RIGHT ANGLE SHIELDED BOARD CONNECTOR		dwg no		10137391	
surface	linear	0.X		±0.3		BOLTRACK		rev	B	
		0.XX		±0.13						
ISO 1302		0.XXX		±0.050		cat. no.	-			
angular		0°		±2°	Product - Customer Drw		sheet 3 of 5			

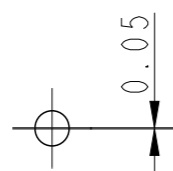
PACKAGING SPECIFICATION



SECTION A-A



DIRECTION OF FEED →



DETAIL D
SCALE 3:1

TAPE & REEL PACKING DETAILS

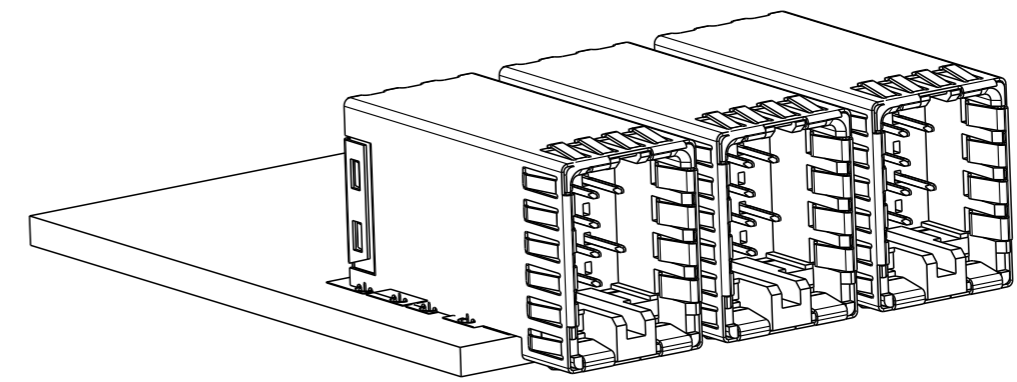
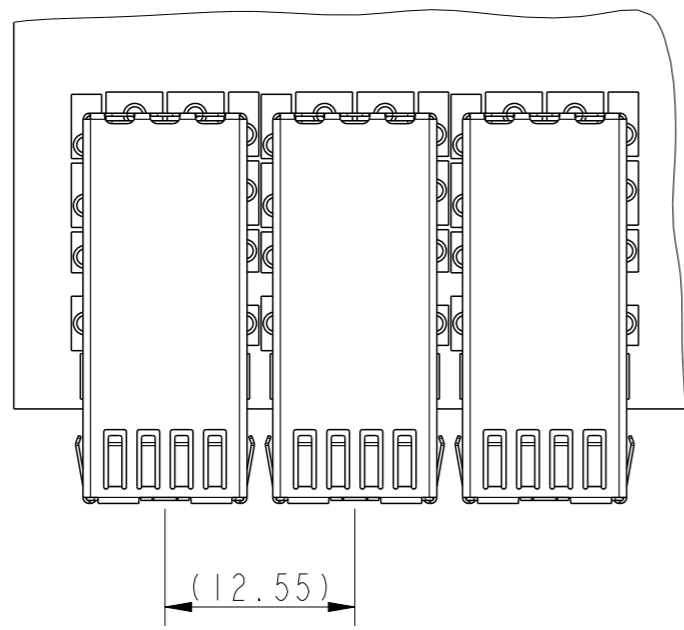
NOTES:

1. PACKAGING DETAILS AS PER EIA-481 STD.
2. PACKING SHOULD BE ANTISTATIC.
3. MATERIAL :
CARRIER TAPE : POLYSTYRENE
COVER TAPE : POLYSTYRENE

spec ref		dr	Jibin John	2016/10/27	projection	MM	size	A3	scale	1:1
tolerance std		eng	Stalin Alosius	2017/01/07			ecn no	ELX-I-25591-1	rel level	Released
ISO 406 ISO 1101		chr	-	-						
surface	linear	0.X	±0.3		RIGHT ANGLE SHIELDED BOARD CONNECTOR		dwg no	10137391	rev	B
		0.XX	±0.13		BOLTRACK					
ISO 1302	angular	0°	±2°		cat. no.	-	Product - Customer Drw	sheet 4 of 5		

A

B



A

B

Amphenol
FCi

NOTES:

- 1. MATERIAL :
-RESIN - LCP, GLASS FILLED, FLAME RETARDENT ACC FLAMMABILITY CLASIFICACION - UL94-V0
-SIGNAL CONTACTS - COPPER ALLOY
-CAGE - COPPER ALLOY
- 2. PLATING :
-GOLD OVER PALLADIUM NICKEL ON CONTACT AREA OF SIGNALS PURE TIN AT TERMINAL AREA OF SIGNALS
- 3. PRODUCT SPECIFICATION: GS-XX-XXX
- 4. APPLICATION SPECIFICATION: GS-XX-XXX
- 5. PACKAGING - TAPE & REEL / TRAY
PACKAGING SPECIFICATION: GS-XX-XXX

- 6. UNDER PLATING FOR CONTACTS IS 1.27μ NICKEL.
- 7. PRODUCT WILL WITHSTAND EXPOSURE TO 260° FOR 60 SECONDS IN A CONVECTION, INFRA RED OR VAPOUR PHASE REFLOW OVEN
- 8. PRODUCT WHERE THE PARTNUMBER ENDS IN LF MEETS EUROPEAN DIRECTIVES AND OTHER COUNTRY REGULATIONS AS DESCRIBED IN GS-47-0004.
- 9. FOR TRAY PACKAGING THE PART NUMBER WOULD BE 10137391-10XPLF

© 2016 AFCI

D

spec ref		dr	Jibin John	2016/10/27	projection	MM	size	A3	scale	2:1
tolerance std		eng	Stalin Alosius	2017/01/07			ecn no		ELX-I-25591-1	
ISO 406 ISO 1101		chr	-	-			rel level		Released	
TOLERANCES UNLESS OTHERWISE SPECIFIED		appr	K-Paul Biju	2017/01/09	product family		BOLTRACK		rev	
surface	linear	0.X		±0.3	Amphenol FCi	RIGHT ANGLE SHIELDED BOARD CONNECTOR		dwg no 10137391	rev	
		0.XX		±0.13		BOLTRACK			B	
ISO 1302		angular	0°	±2°		cat. no.				-

C

D