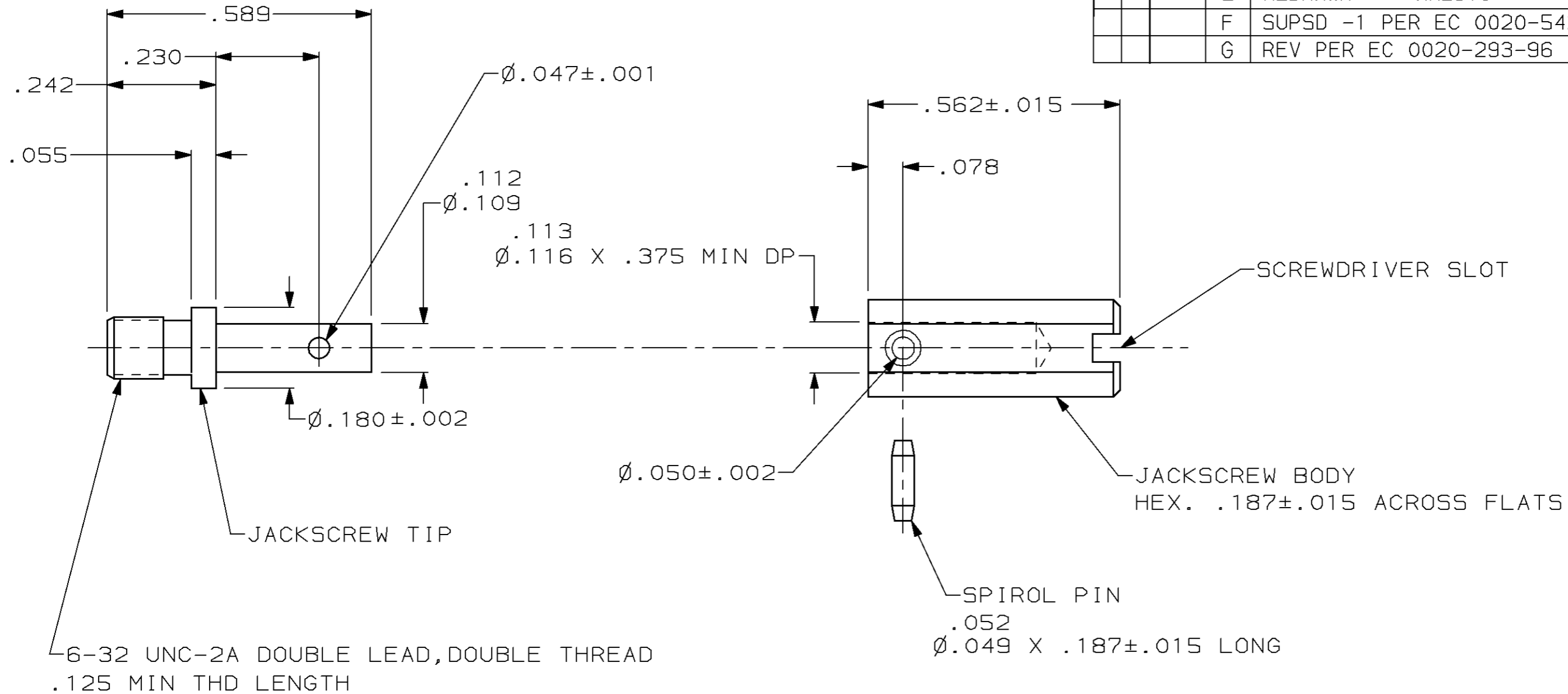


THIS DRAWING IS UNPUBLISHED. RELEASED FOR PUBLICATION, 19 .
 © COPYRIGHT 19 BY AMP INCORPORATED. ALL INTERNATIONAL RIGHTS RESERVED.

LOC	DIST	P	F	REVISIONS			
ZONE	LTR	DESCRIPTION	DATE	APPD			
AR	39			E	REDRAWN AR2318	2-89	-
				F	SUPSD -1 PER EC 0020-542-94	12/21/94	GM
				G	REV PER EC 0020-293-96	25 JUN 96	GDM



SUPSD BY 88618-2

PASSIVATED	88618-2
-	88618-1
FINISH	PART NO

DO NOT SCALE PRINT, UNLESS SPECIFIED DIMENSIONS IN INCHES TOLERANCES ON: 2 PLC DEC ± - 3 PLC DEC ± .005 ANGLES ± -	DR 2-1-89 C. OBERMAN	AMP AMP INCORPORATED Harrisburg, Pa. 17105		
	CHK 2-15-89 G.D. MILLER			
	MATERIAL STAINLESS STEEL	APPD 2-15-89 G.D. MILLER	NAME JACKSCREW KIT, MALE, TURNABLE	
	FINISH SEE TABLE	APPD 2-15-89 W. PARKER	SIZE B	FSCM NO 00779
	PRODUCT SPEC -	SCALE 4:1		SHEET 1 OF 1
	APPLICATION SPEC -			
	WEIGHT -			