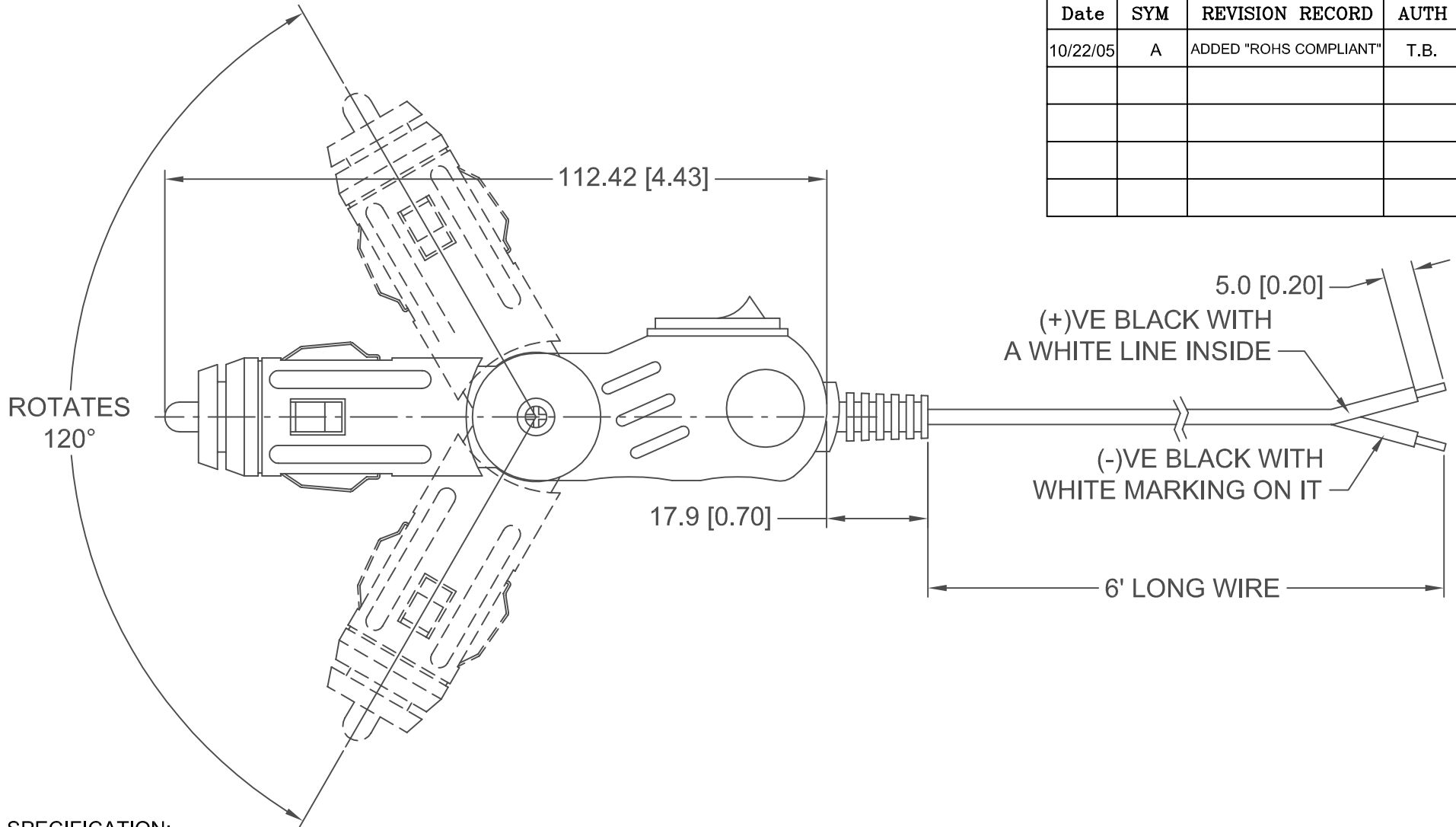



Date	SYM	REVISION RECORD	AUTH	DR.	CK.
10/22/05	A	ADDED "ROHS COMPLIANT"	T.B.	B.S.	



SPECIFICATION:

BODY: HIGH IMPACT ABS, UL94V-0, FILE NO. E56070(S)
 COLOR: BLACK
 CENTER CONTACT: BRASS, NICKEL PLATED
 SLIDING CONTACTS: PHOS. BRONZE, NICKEL PLATED
 SPRING: SW70C, ZINC PLATED
 FUSE: 250V, 5 AMP, 3AG 6.35mm x 30mm (1/4" X 1 1/4")
 RATED AT 18 HOURS, CONTINUOUS DUTY
 10 AMP'S MAX WITH CORRECT FUSE.
 SWITCH: RED LED, 10 AMPS - 125 VOLTS
 OR 5 AMPS - 250 VOLTS
 WIRE: 6' LONG, 18AWG, VW-1, SPT-1, 105°C, (+)VE WIRE WITH
 A WHITE LINE INSIDE, (-)VE WIRE WITH WHITE MARKING ON IT
 ROHS COMPLIANT

Tolerance (Except as noted)	 Memory Protection Devices, Inc 200 Broad Hollow Road, Farmingdale, New York 11735	Scale	Drawn By B.S.
			Approved By T.B.
decimal ±.5 (.020)	Title LIGHTED ROTARY CIGARETTE PLUG WITH 6' WIRE, 10AMP SWITCH AND 5AMP FUSE		
Fractional ± .8 (.030)	Date 10/22/05	Drawing Number BK-5072	