



*Access Converter/3*

*Operation Manual*

---



## **FCC RADIO FREQUENCY INTERFERENCE STATEMENT**

---

This equipment has been tested and found to comply with the limits for a Class B computing device, pursuant to Part 15 of the FCC Rules. These limits are designed to provide reasonable protection against harmful interference when the equipment is operated in a commercial environment. This equipment generates, uses and can radiate radio frequency energy and, if not installed and used in accordance with the instruction manual, may cause harmful interference to radio communications. Operation of this equipment in a residential area is likely to cause harmful interference in which the user will be required to correct the interference at his own expense.

Any changes or modifications not expressly approved by the manufacturer could void the user's authority to operate the equipment.

The use of non-shielded I/O cables may not guarantee compliance with FCC RFI limits. This digital apparatus does not exceed the Class B limits for radio noise emission from digital apparatus set out in the Radio Interference Regulation of the Canadian Department of Communications.

Le présent appareil numérique n'émet pas de bruits radioélectriques dépassant les limites applicables aux appareils numériques de classe B prescrites dans le Règlement sur le brouillage radioélectrique publié par le ministère des Communications du Canada.

## **WARRANTY**

---

IMC Networks warrants to the original end-user purchaser that this product, EXCLUSIVE OF SOFTWARE, shall be free from defects in materials and workmanship under normal and proper use in accordance with IMC Networks' instructions and directions for a period of six (6) years after the original date of purchase. This warranty is subject to the limitations set forth below.

At its option, IMC Networks will repair or replace at no charge the product which proves to be defective within such warranty period. This limited warranty shall not apply if the IMC Networks product has been damaged by unreasonable use, accident, negligence, service or modification by anyone other than an authorized IMC Networks Service Technician or by any other causes unrelated to defective materials or workmanship. Any replaced or repaired products or parts carry a ninety (90) day warranty or the remainder of the initial warranty period, whichever is longer.

To receive in-warranty service, the defective product must be received at IMC Networks no later than the end of the warranty period. The product must be accompanied by proof of purchase, satisfactory to IMC Networks, denoting product serial number and purchase date, a written description of the defect and a Return Merchandise Authorization (RMA) number issued by IMC Networks. No products will be accepted by IMC Networks which do not have an RMA number. For an RMA number, contact IMC Networks at PHONE: (800) 624-1070 (in the U.S and Canada) or (949) 465-3000 or FAX: (949) 465-3020. The end-user shall return the defective product to IMC Networks, freight, customs and handling charges prepaid. End-user agrees to accept all liability for loss of or damages to the returned product during shipment. IMC Networks shall repair or replace the returned product, at its option, and return the repaired or new product to the end-user, freight prepaid, via method to be determined by IMC Networks. IMC Networks shall not be liable for any costs of procurement of substitute goods, loss of profits, or any incidental, consequential, and/or special damages of any kind resulting from a breach of any applicable express or implied warranty, breach of any obligation arising from breach of warranty, or otherwise with respect to the manufacture and sale of any IMC Networks product, whether or not IMC Networks has been advised of the possibility of such loss or damage.

EXCEPT FOR THE EXPRESS WARRANTY SET FORTH ABOVE, IMC NETWORKS MAKES NO OTHER WARRANTIES, WHETHER EXPRESS OR IMPLIED, WITH RESPECT TO THIS IMC NETWORKS PRODUCT, INCLUDING WITHOUT LIMITATION ANY SOFTWARE ASSOCIATED OR INCLUDED. IMC NETWORKS SHALL DISREGARD AND NOT BE BOUND BY ANY REPRESENTATIONS OR WARRANTIES MADE BY ANY OTHER PERSON, INCLUDING EMPLOYEES, DISTRIBUTORS, RESELLERS OR DEALERS OF IMC NETWORKS, WHICH ARE

INCONSISTENT WITH THE WARRANTY SET FORTH ABOVE. ALL IMPLIED WARRANTIES INCLUDING THOSE OF MERCHANTABILITY AND FITNESS FOR A PARTICULAR PURPOSE ARE HEREBY LIMITED TO THE DURATION OF THE EXPRESS WARRANTY STATED ABOVE.

Every reasonable effort has been made to ensure that IMC Networks product manuals and promotional materials accurately describe IMC Networks product specifications and capabilities at the time of publication. However, because of ongoing improvements and updating of IMC Networks products, IMC Networks cannot guarantee the accuracy of printed materials after the date of publication and disclaims liability for changes, errors or omissions.

## TABLE OF CONTENTS

---

FCC Radio Frequency Interference Statement .....	ii
Warranty.....	ii
About the Access Converter/3 .....	4
Installing the Access Converter/3 .....	5
LED Operation.....	6
Specifications.....	8
Safety Certifications.....	9

## **ABOUT THE ACCESS CONVERTER/3**

---

The Access Converter/3 is a 10/100 auto-negotiating, switching, optical access product. There is one uplink port and three 10/100 twisted pair downlink ports. The uplink port can be either fiber or 10/100 twisted pair. The uplink port is located on the back of the media converter. Each of the twisted pair ports can auto-sense the speed and duplex mode of a connected device. These speeds include the following:

- 10 Mbps
- 100 Mbps
- Half Duplex
- Full Duplex

All of these speeds include Flow Control. The fiber port always operates at 100 Mbps Full Duplex.

The Access Converter/3 offers plug-and-play operation, including the AutoCross feature which automatically selects between a crossover work-station or straight-through repeater hub connection depending on the connected device.

The Access Converter/3 also protects against Broadcast storms, and allows packets of up to 1532 bytes to pass. The Access Converter/3 uses a universal external switching power adapter for 100 to 240  $\pm$ 10% VAC input and 5 VDC output (included).

## INSTALLING THE ACCESS CONVERTER/3

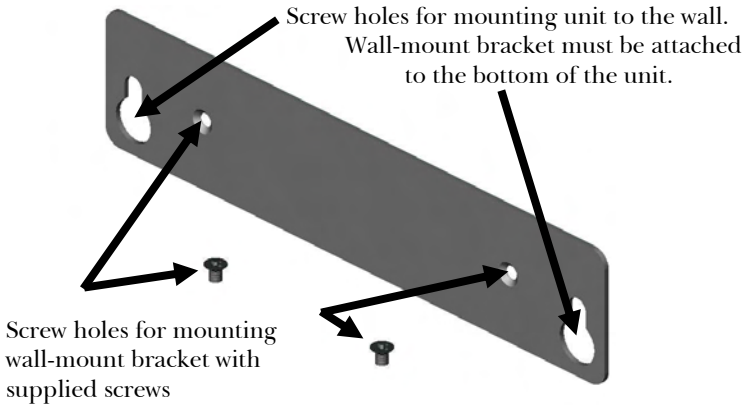
---

Install the Access Converter/3 as a table-top device, or mount to a wall surface with the appropriate bracket (included). To wall mount, use the supplied screws to attach the wall-mount bracket to the Access Converter/3, then simply mount the unit to the wall by tightening the screws (not supplied).

Note
<i>The Access Converter/3 packaging also includes four small rubber "feet" for use in table-top or wall-mount installations.</i>

Plug the Access Converter/3 into a power source and attach the connected devices. Verify installation by observing the LEDs on the unit (refer to the LED Operation section for more information).

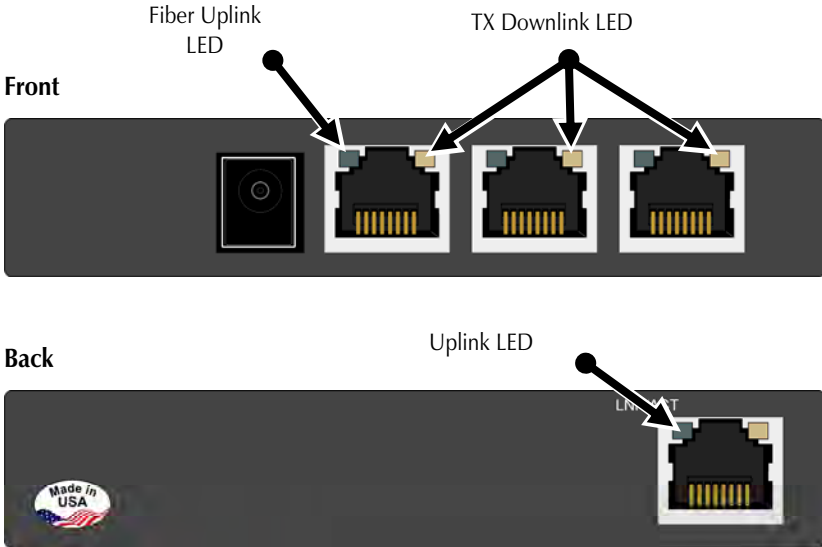
### Wall Mount Bracket



## LED OPERATION

---

Each Access Converter/3 includes diagnostic LEDs for troubleshooting.



### Twisted Pair Downlink Ports

---

The LED indicator for the twisted pair downlink port is located on the RJ-45 connector of the downlink port next to the power connector. There are two LED functions for the twisted pair downlink ports. LED functions are as follows:

- Glows amber when a link is established on the copper port
- Glows amber indicating a valid link, then blinks amber when activity is detected on the copper port.

Note
<i>The green LED on RJ-45 connectors are reserved for future use, with one exception— refer to the following Uplink Port sections for more information.</i>

## **Fiber Uplink Port**

---

The LED indicator for the fiber uplink port is located on the RJ-45 connector of the downlink port next to the power connector. There are four LED functions for the fiber uplink port.

The fiber uplink port LED functions are as follows:

- Glows green when a link is established on the fiber port.
- Glows green indicating a valid link, then blinks green when activity is detected on the fiber port.
- When the LED is OFF, there is no link (check cabling, check remote device).
- Blinking LED - indicates the device attached to the other end of the fiber maybe passing Link Fault Propagation, or generating noise onto the fiber. This normally happens when there is a media converter at the fiber end of the link. Connect the second port of the converter onto a valid device to generate link.

## **Twisted Pair Uplink Port**

---

When the Access Converter/3 is configured with a twisted pair uplink port, the LED location and functionality is the same as that for the downlink ports.

## SPECIFICATIONS

---

### DC Input Voltage:

AC Adapter Input Load: 100/240  $\pm$ 10% VAC, 0.25A, 50/60 Hz, 5 VDC output with maximum output current of 1A Unit Power Consumption (Typical): 600 mA @ 5 VDC

### Operating Temperature:

32° to 122° F (0° to 50° C)

### Storage Temperature:

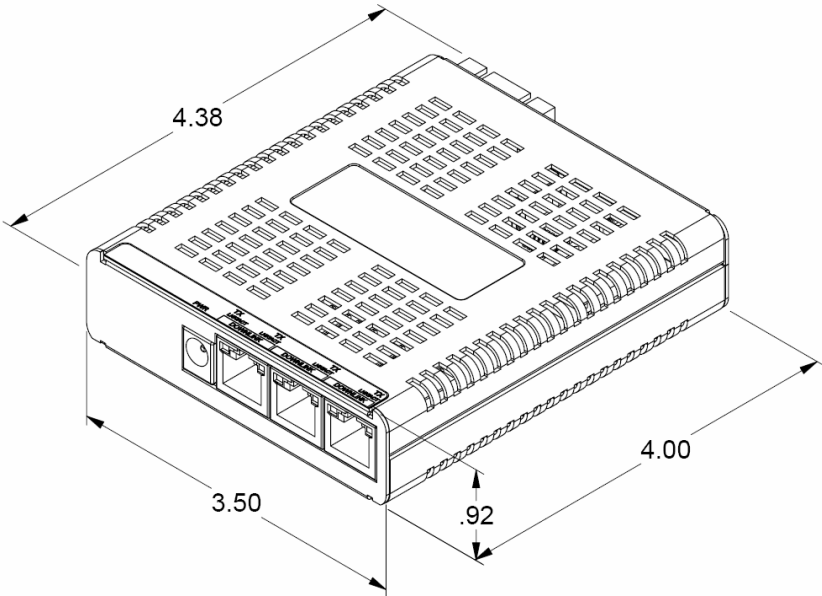
-4° to 158° F (-20° to 70° C)

### Humidity:

5 to 90% (non-condensing); 0 to 10,000 ft. altitude

### Dimensions:

H=0.92" W=3.50" D=4.00" (2.3 x 8.9 x 10.2 cm)





## SAFETY CERTIFICATIONS

---

UL/CUL: Listed to Safety of Information Technology Equipment, including Electrical Business Equipment.

CE: The products described herein comply with the Council Directive on Electromagnetic Compatibility (89/336/EEC) and the Council Directive on Electrical Equipment Designed for use within Certain Voltage Limits (73/23/EEC). Certified to Safety of Information Technology Equipment, Including Electrical Business Equipment. For further details, contact IMC Networks.



**Class 1 Laser product, Luokan 1 Laserlaite,  
Laser Klasse 1, Appareil A' Laser de Classe 1**

European Directive 2002/96/EC (WEEE) requires that any equipment that bears this symbol on product or packaging must not be disposed of with unsorted municipal waste. This symbol indicates that the equipment should be disposed of separately from regular household waste. It is the consumer's responsibility to dispose of this and all equipment so marked through designated collection facilities appointed by government or local authorities. Following these steps through proper disposal and recycling will help prevent potential negative consequences to the environment and human health. For more detailed information about proper disposal, please contact local authorities, waste disposal services, or the point of purchase for this equipment.





19772 Pauling • Foothill Ranch, CA 92610-2611 USA  
TEL: (949) 465-3000 • FAX: (949) 465-3020  
[www.imcnetworks.com](http://www.imcnetworks.com)



© 2007 IMC Networks. All rights reserved.

The information in this document is subject to change without notice. IMC Networks assumes no responsibility for any errors that may appear in this document. Access Converter/3 is a trademark of IMC Networks. Other brands or product names may be trademarks and are the property of their respective companies.

**Document Number 52-80141-00 A2**

**January 2007**

If the product's part number begins with an "8", it is compliant with the Restriction of Hazardous Substances (RoHS) directive.